

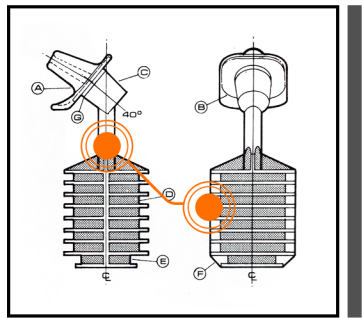
## FREQUENCIES

### OPEN CHANNEL

COMMS OFFICER: CONTROL + ENGINEERING  
COMPUTER: COMMS + ENGINEERING

### ANSWER HAIL

COMMS OFFICER: CONTROL + ENGINEERING  
COMPUTER: COMMS + ENGINEERING

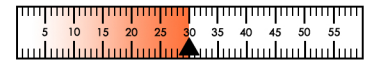


0223  
0224

## COUNTERMEASURES

### SIGNAL INTERCEPT

COMMS OFFICER: INSIGHT + ENGINEERING  
COMPUTER: COMMS + SECURITY



### SIGNAL JAMMING

COMMS OFFICER: CONTROL + ENGINEERING  
COMPUTER: COMMS + SECURITY

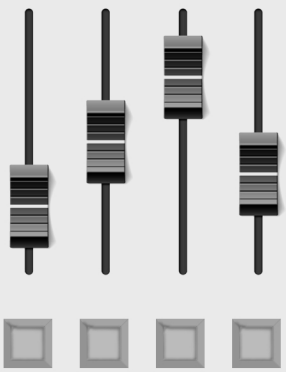
0224  
0127  
0128  
0211

## REPORTS

### DAMAGE REPORT

COMMS OFFICER: INSIGHT + COMMAND  
ENGINEER: COMMS + ENGINEERING

0224  
0227  
0230



- 51-863  
PRIMARY
- 47-201  
SECONDARY
- 36-621  
ALERT
- 96-040  
ALERT
- 74-313  
RELAYS
- 15-282  
DORSAL
- 15-282  
VENTRAL

